

## STEREO INTERCOM with CD Player

As the leader in cockpit audio, we have often been asked to recommend an entertainment device for general aviation aircraft. This had been difficult, because the selection was limited, and expensive.

Not any more!

The PCD7100-Series integrated Intercom and entertainment system is designed from the beginning for aircraft installations. By combining a superb Compact Disk (CD) and an MP3 player with a high-performance intercom and audio system, installation and operation is simplified.

The PCD7100 incorporates PS Engineering's exclusive IntelliVox®, the completely automatic digitally controlled intercom squelch. IntelliVox® has been a proven performer in all types of aircraft, from warbirds to helicopters.

The PCD7100 has music and intercom volume controls for precise adjustment of the audio levels. The five back-lit CD push button controls have LED mode annunciation. They are Play/Pause, Skip, Repeat, Stop, Fast Forward, Rewind and Eject.

In ISO mode, the pilot hears only aircraft radio traffic without music or intercom interruptions. In CREW mode, the pilot and copilot hear the internal CD player, and radio traffic. The passengers can either listen to the internal player, or use another entertainment source, depending on installation configuration.



**PCD7100-I Intercom with CD Player**

Like all PS Engineering intercoms, both the pilot and copilot have transmit capability over the aircraft radios

In ALL mode, all intercom positions hear the aircraft radios and the CD/MP3 player, with our proprietary "Soft Mute™" circuit.

What about vibration? The CD/MP3 Player is designed to withstand severe turbulence and very hard landings without missing a beat. The PCD7100 will be well suited to any aircraft cockpit or cabin vibration environment. The PCD7100 is also very tolerant of unusual attitudes and will function in almost any normal category pitch or roll condition.

The automatic fail-safe feature (EMG) connects the pilot directly to the aircraft radios if power is removed from the PCD7100 for any reason.

The CD/MP3-only version (PCD7100-P) provides compatible music outputs for most General Aviation audio systems and intercoms.

For model PCD7100-P, an optional Aural

Warning System (AWS) is available. It provides six aural warnings to help pilots identify problems early. These six alert messages can be programmed to direct the pilot's attention to out-of-limit conditions, if interfaced with compatible aircraft systems.

For model PCD7100-I, an Intercom Recording System (IRS) is available. This helps pilots to determine if the radio call was for them or verify the instructions given.

The system was designed for maximum ergonomic simplicity, with easy to see and use buttons in a natural configuration. The PCD7100 is manufactured in the USA, and is FAA-Approved to the most current international standards. PS Engineering's 1-year no-hassle warranty and ProSupport program back the units for a lifetime of worry free operation.

### ORDERING INFORMATION

**PCD7100-I 6-Place Stereo Intercom with CD/MP3/MP3Pro Player .....P/N11956**  
 6-Place Hi-Fidelity Standard Rack Width Stereo Intercom with Pilot Isolate, All and Crew functions. One built-in Compact Disc (CD-MP3) player and one external music input.

**Same as above but with Digital Recorder (IRS) .....P/N11957**

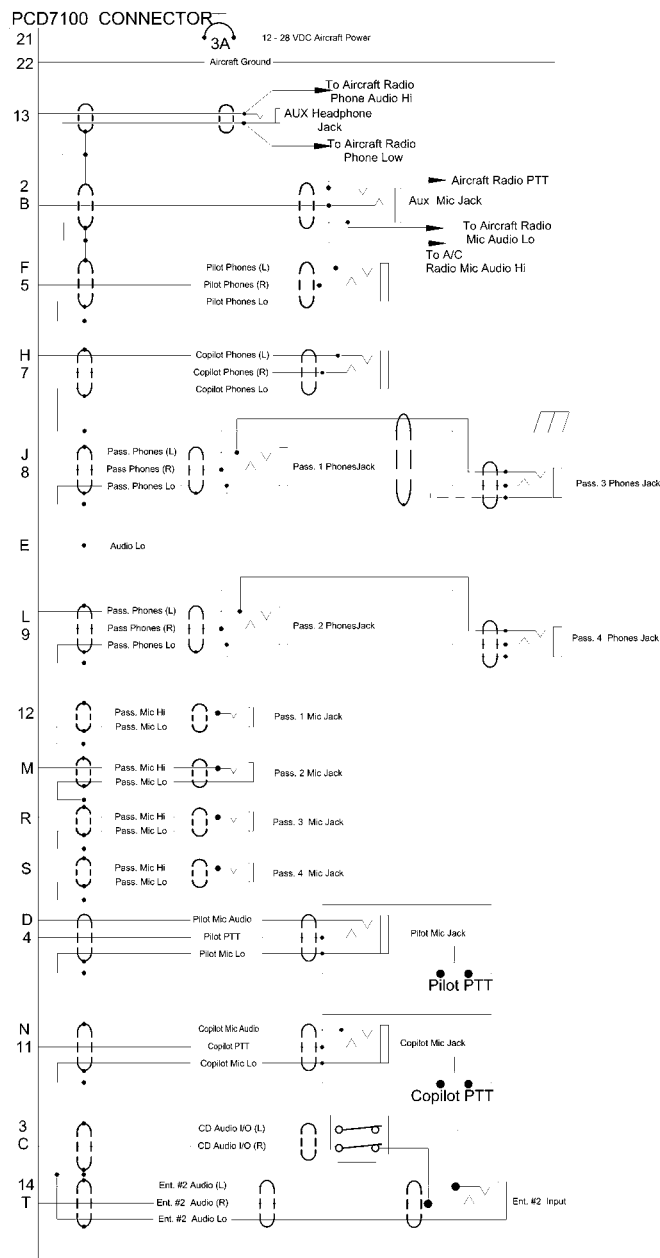
**PCD7100-P Hi-Fidelity Stereo Standard Rack Width CD/MP3/MP3Pro Player .....P/N11958**  
 Designed for aircraft use, interfaces directly with most intercom and audio panel systems.

**Same as above but with AWS .....P/N11954**

- **Integral 6-place Stereo Intercom**
- **IntelliVox® automatic VOX squelch**
- **Isolate, Crew and All intercom modes**
- **Fail-safe operation**
- **FAA-TSO Approval (pending)**
- **Dual music capability w/muting**
- **No hassle 1-year warranty**
- **Optional IRS (Digital Recorder) or Aural Warning System (AWS)**
- **CD-only CD/MP3 option**
- **Supports MP3Pro format**
- **Vibration-resistant CD player**
- **No RFI emissions to interfere with communications or other avionics**
- **Reads CD-R and CD-RW disks**

# SPECIFICATIONS

## PCD7100-I Wiring Diagram (11956)



### Intercom:

6-place Stereo

### Power Required:

11 - 33 VDC

### Power Consumption:

650mA typ. 1A peak

### CD Power out:

2 VRMS into 20kΩ

### Headphone:

35 mW into 150Ω w/o clipping

### Audio Frequency Response:

±3dB, 300Hz - 6,000Hz

### Entertainment Frequency Response:

±3dB, 100Hz - 18,000 Hz

### Approval Basis:

FAA-TSO C50c

### Certification Documents:

RTCA DO-160D, DO-178B, DO-214

### Weight:

2.2 lb.

### Dimensions:

6.25" W x 2.0" H x 7.00" D behind instrument panel

### Environmental Conditions:

DO160D, AID1/CA(MN)XXXXXXXXBBBBTBKXX  
AICABM(G)XXXXXXXXABBBBTMXXFZXXY

### Temperature Range:

-20° C to +55°, with transient operation at +70° C

### Altitude:

25,000 feet, unpressurized

### Warranty

One year hassle-free exchange program. When installed by an authorized PS Engineering dealer, an exchange unit will be shipped by way of Federal Express. Out of warranty repair available for \$159.95. See Warranty Information in the Installation Manual for details on our limited warranty.

Mode	Pilot Hears	Copilot Hears	Passenger Hears	Comments
Isolate	A/C Radio Pilot sidetone (only during radio xmt.)	Copilot Passengers CD Player	Passengers Copilot CD Player	This mode allows the pilot to communicate with the ground without the copilot or the passengers hearing the conversation. Copilot and passengers can continue to communicate with themselves and continue to listen to the internal CD Player.
All	Pilot A/C Radio Copilot Passengers CD Player	Copilot A/C Radio Pilot Passengers CD Player	Passengers A/C Radio Pilot Copilot CD Player	This mode allows the pilot, copilot and passengers to communicate with each other. All will hear aircraft radio. Music is muted (lowered in level) during intercom or radio communications. (Front panel music mute inhibit push switch integrated with music volume control). Music and intercom are disabled during radio transmissions.
Crew	Pilot Copilot A/C Radio CD Player	Pilot Copilot A/C Radio CD Player	Passengers Music #2	While in the Crew mode, the pilot and copilot are on one channel while the passengers are on a separate channel. Additionally, the pilot and copilot will hear the internal CD Player while the passengers will hear an external or the internal CD music device, depending on configuration. Only the pilot and copilot will hear the aircraft radio.

**PS Engineering, Inc. • 9800 Martel Road • Lenoir City, TN 37772**

**Phone (865) 988-9800 • FAX (865) 988-6619 • Internet [www.ps-engineering.com](http://www.ps-engineering.com)**